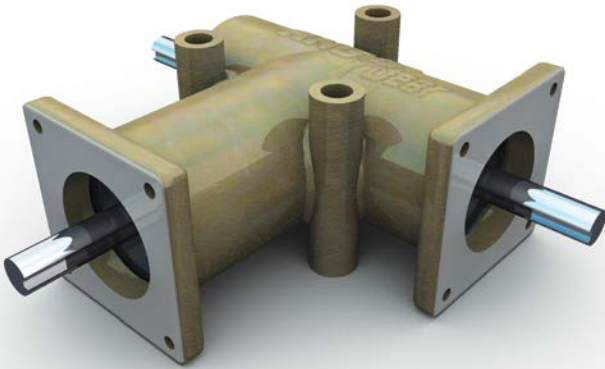


Andantex USA

Anglgear™: Made in the USA, Powering Industry Worldwide

Andantex USA's objective over the years has always remained the same: to provide innovative, high-quality gearboxes and solutions for use on industrial machinery. The Anglgear™ right angle drive is an example of our commitment to our customers' needs and applications. Since purchasing this product line more than 30 years ago, the Anglgear has grown into a product that is now used in various applications across the printing, converting, packaging, general purpose and aerospace industries.



In addition, we also supply all branches of the military, conforming to contracts specifying various MIL SPEC requirements.

The Anglgear™ line consists of 14 different models available from stock in both an Inch and Metric series and sold worldwide. ***We take pride in the fact that all Anglgear drives are assembled and shipped from our headquarters in New Jersey. Here, we manufacture, and inspect every unit that goes out the door. This ensures consistent quality in all our gearboxes.***

Our standard units are available from stock in 1:1 and 2:1 ratios, with 2 shafts or 3, 2 flanged or 3 flanged units, and are lubricated for life before being shipped.

Over the past 10 years, we have seen that a huge part of our growth in this line is due to the fact that we will modify our units to meet our customers' design specifications. **It doesn't matter if it's a one-piece special order or a quantity order;** our engineers will work with our customers to give them the best solution for their application and needs.

Examples of our modifications include various shaft lengths and configurations, including shafts with flats, splines, holes, etc. We also offer 3-way units with counter-rotating output shafts, as well as custom housings with flanges and bosses removed for custom mounting applications, special materials, bearings, seals and epoxy coatings as needed. We can provide units with special backlash upon request, and offer various options for grease including food grade, high temperature and radiation resistant.



ANDANTEX USA Inc.

FOR MORE INFORMATION

1705 Valley Road, Ocean Township, New Jersey 07712

Phone: 877-966-9151 (732-493-2812)

Fax: 732-493-2949

Email: info@andantex.com

www.andantex.com

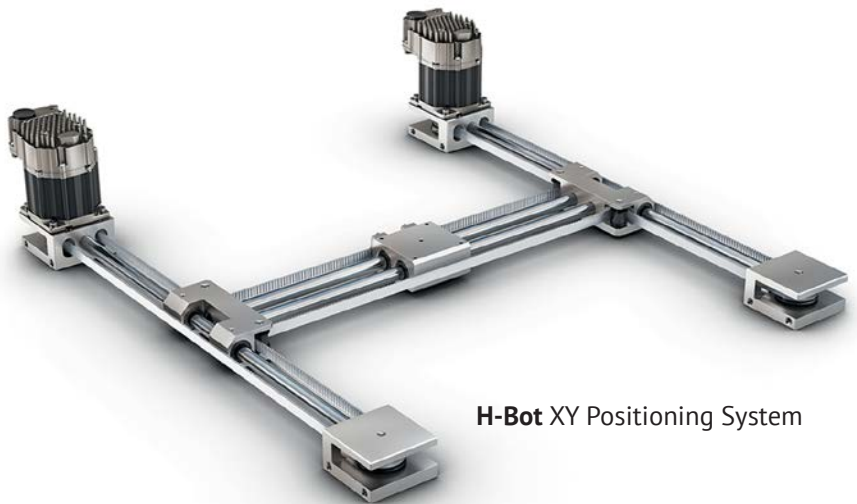
Schaeffler Group USA Inc.

Schaeffler Engineering: Greater Than the Sum of Our Parts

The Schaeffler Group is a leading global automotive and industrial supplier whose enduring success is built upon outstanding technology and a singular innovative ability. Over 92,000 employees make Schaeffler one of the world's largest technology firms in family ownership, encompassing a worldwide network of manufacturing plants, R&D facilities and sales companies at approximately 170 locations in over 50 countries. With a complete line of bearing solutions for a wide range of industrial applications as well as high-precision components and systems for engine, transmission and chassis applications, the Schaeffler Group is actively shaping "Mobility for Tomorrow."

In addition to rolling bearings for practically any application, linear bearings and guidance systems are a vital part of Schaeffler's product portfolio. Unrivaled in scope and versatility, Schaeffler's linear product lineup ranges from shafts with linear ball bearings and monorail guidance systems to sophisticated actuators with drives and control systems, plus special coatings and every conceivable accessory.

But that's only the start. Schaeffler's linear portfolio is based on a modular concept that goes far beyond mere components. We can design a complete system solution tailored to the customer's specific application – from large gantry robots to intricate circuit board inspection systems. In fact, many of our linear guidance systems started out as solutions to customers' needs! Case in point: Schaeffler's ingenious H-Bot XY positioning system.



H-Bot XY Positioning System

Sometimes, of course, a Schaeffler solution comes about because a customer's needs were not being met by the conventional standard. Such is the case with Schaeffler's innovative PWG differential roller screw. Within the pantheon of traditional mechanical/linear drive systems, the screw category has been limited to lead screws, ball screws and roller screws.

Until now.

In response to a customer's request for a solution that better addressed its ambitious price-performance target, Schaeffler developed the PWG differential roller screw as a new option that offers the high forces of a traditional roller screw, but at a price point closer to a ball screw.

So, while innovative products make up the heart of Schaeffler's offerings to our customers, service represents the soul of what we do. Because when it comes to linear guidance systems, Schaeffler has all the pieces – all you have to do is supply the puzzle. Together, we'll create the perfect linear solution... yours!



PWG Differential Roller Screw

SCHAEFFLER

FOR MORE INFORMATION

308 Springhill Farm Rd., Fort Mill, SC 29715

Phone: 803-396-3643

Fax: 803-548-8599

Email: info.us@schaeffler.com

www.schaeffler.us